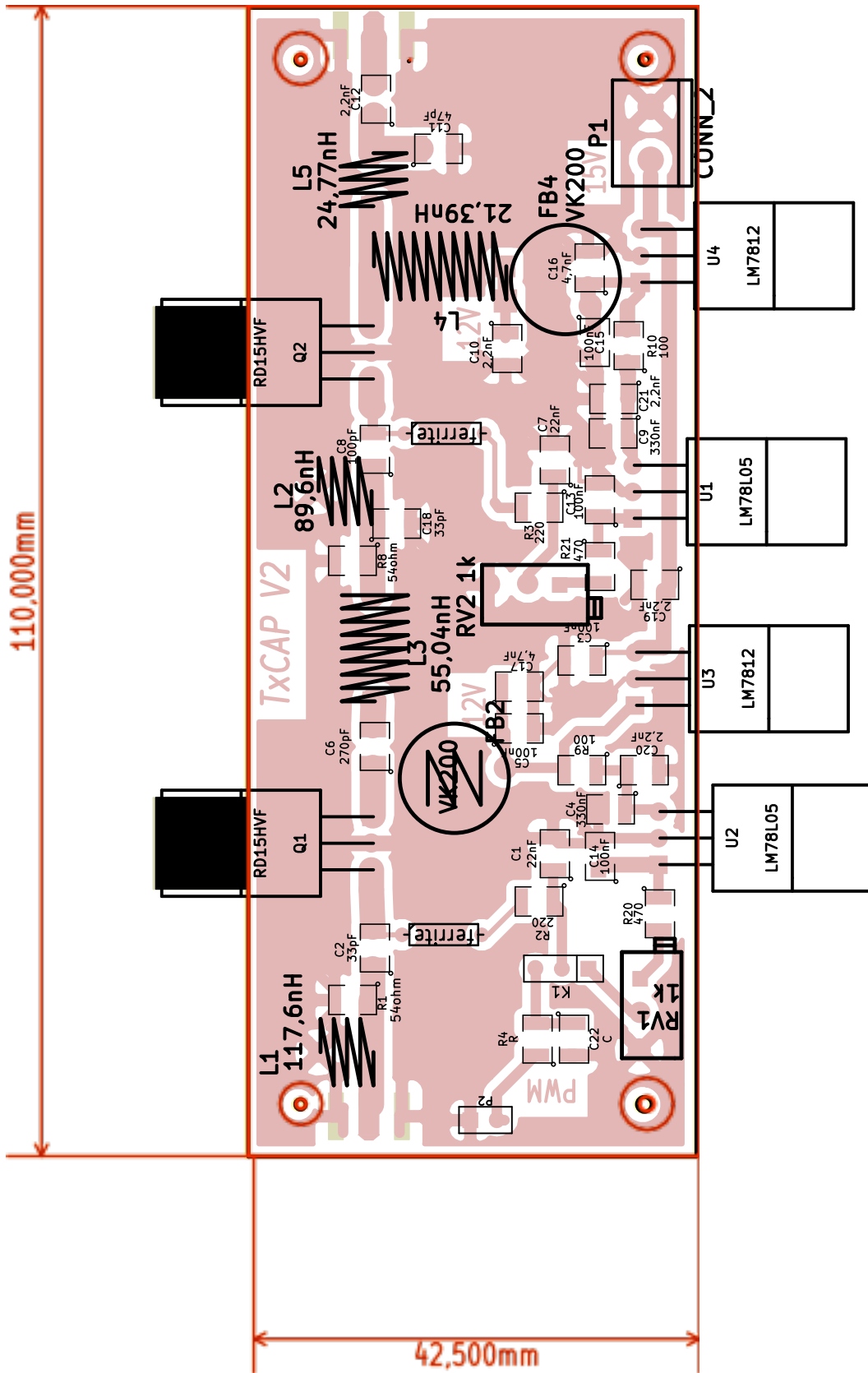


110,000mm

42,500mm



File: 10Wyfiltro_Produccion.kicad_pcb
Sheet:
Title:
Size: A4 Date: 23 dec 2015 Rev:
KiCad E.D.A. Id: 1/1